

Manual Pallet Stacker

H10J



Eoslift

Eoslift Automation Technology Corp.
No.99, Yanjia Road, Yuantong Town, Haiyan, Zhejiang
Province, China 314317
Tel: +86 573 8622 9999
Fax: +86 573 8622 2900
info@eoslift.com
www.eoslift.com

Hotline: 400-626-9090

Eoslift USA Corporation
1590 S. Milliken Avenue, Unit H, Ontario, California 91761
Tel: +1-888-264-5008
Fax: +1-781-780-5915
sales@eoslift.us
www.eoslift.us

Product features



Wide Applicability

- Used for loading goods onto or unloading goods from pallets and stacking goods
- Compact truck body, especially suitable for narrow aisles and small spaces Straddle and forged forks available

Safe and Comfort

- Equipped with reinforced safety grid (the grids and mounting screws are integrated)
- Press resistant caster bracket protects the operator from injuries
- Ergonomic handle for easier lifting and lowering of truck
- Foot pedal provides an additional option for convenient lifting
- Wheel assemblies with brakes for easy operation

Stable and Reliable

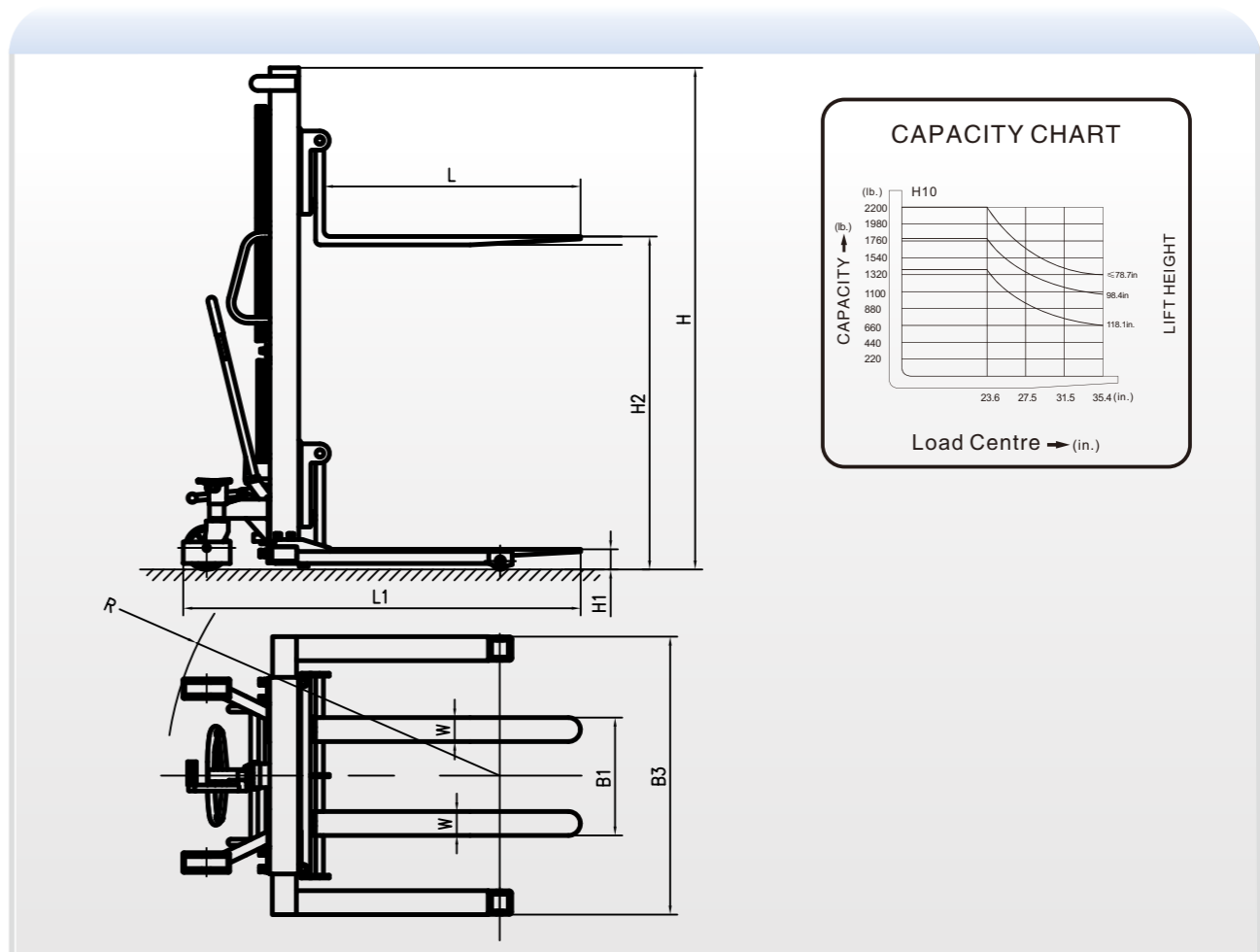
- Seal rings conforming to German standards ensure excellent performance
- Frame constructed of high-strength C type steel, especially for double frame series which will be more stable when lifting and lowering
- The cylinders use high precision drawn tubes which prevents the seal rings from damage and leakage

General Information

| | | |
|----------------|-----|------|
| Model | | H10J |
| Rated capacity | lb. | 2200 |
| Load center | in. | 23.6 |
| Service weight | lb. | 759 |

Size

| | | |
|------------------------|--------|-----------|
| Minimum fork height | in. | 1.4 |
| Maximum fork height | H2 in. | 63 |
| Lowered Mast Height | H in. | 81.1 |
| Fork length | L in. | 42.1 |
| Overall fork width | B1 in. | 8.3-32.7 |
| Length of the stacker | L1 in. | 66.3 |
| Width of the stacker | B3 in. | 41.3-57.1 |
| Load-bearing wheel | in. | Φ2.8×2.8 |
| Steering wheel | in. | Φ7.1×2 |
| Minimum turning radius | R in. | 51 |



* The manufacturer has the right to change the design and specification of products. The improvement of technical parameter or configuration will be amended at any time without prior notice.*